



Contact info

 Seriline AB

 Gustavslundsvägen 50
167 51 Bromma | Sweden

 +46(0)10-150 75 00

 info@seriline.com

 www.seriline.com

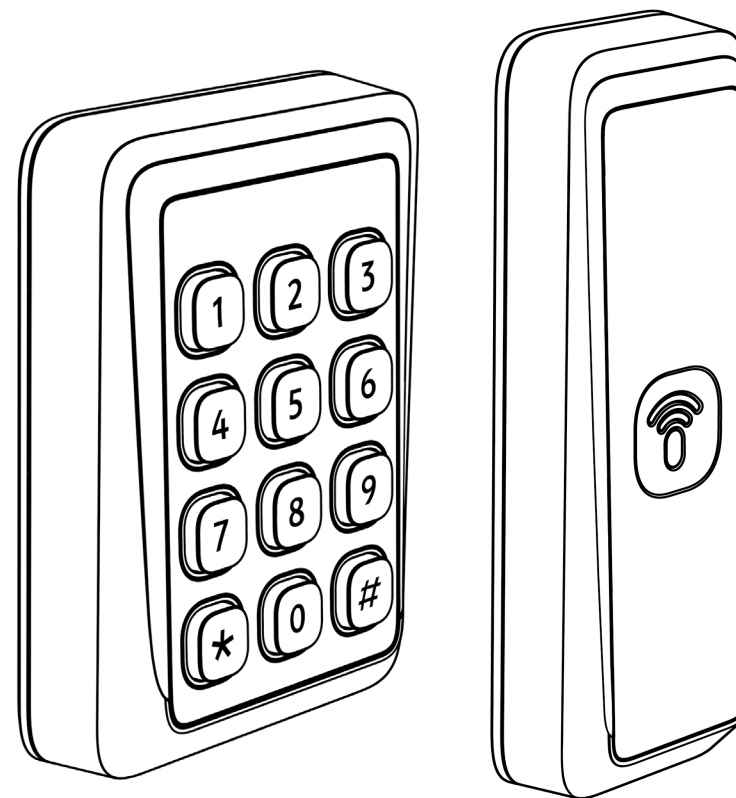


Installation guide
Cidron Standard Reader
Cidron Combi Reader



Installation guide
Cidron Slimline Reader

 cidron®



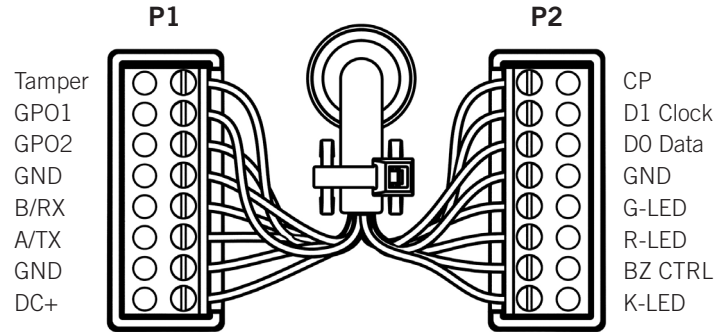
Quick Installation Guide

Cidron Standard Reader
Cidron Combi Reader
Cidron Slimline Reader

 seriline

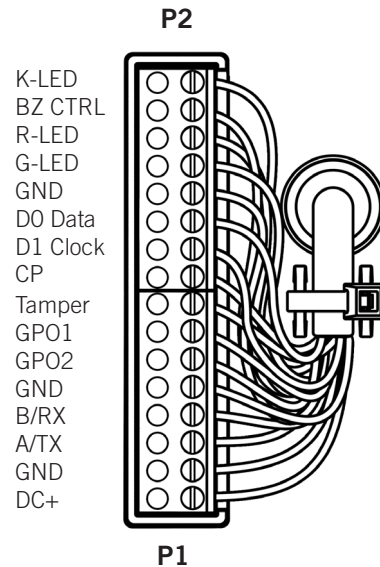
Quick Installation Guide

Cidron Standard Reader
Cidron Combi Reader



Quick Installation Guide

Cidron Slimline Reader



Please note that this is only a quick installation guide, information regarding recommendations, measurements and accessories are available in the full version of the Cidron installation guide. See QR-code on the last page. Also available on: <https://doc.Serilinegroup.com/display/PUB/Seriline+Cidron>

Terminal description

P1

PIN	Description	Wiegand	RS485/ OSDP	Clock/ Data
Tamper	Tamper output	X	-	-
GPO1	General purpose I/O	-	-	-
GPO2	General purpose I/O	-	-	-
GND	Ground	-	-	-
B/RX	RS485 -	-	X	-
A/TX	RS485 +	-	X	-
GND	Power supply	X	X	X
DC+	Power supply 9 - 30 VDC	X	X	X

P2

PIN	Description	Wiegand	RS485/ OSDP	Clock/ Data
CP	Card Present	-	-	X
D1 Clock	Wiegand Data1/Clock/Data, ABA 2	X	-	X
D0 Data	Wiegand Data0/Clock/Data, ABA 2	X	-	X
GND	Ground	-	-	-
G-LED	External Green LED control	X	-	X
R-LED	External Red LED control	X	-	X
BZ CTRL	External Buzzer control	X	-	X
K-LED	External keypad LED control	X	-	X

Notes

1. Maximum wiegand cable length is 150 meters and requires a high quality shielded cable with minimum AWG18 dimension (=0.8231mm²) in an environment free from electrical noise. A cable with smaller dimension or an installation environment with electrical disturbances will reduce the maximum cable length.
2. Wiegand & Clock/Data requires dedicated wires for external control of Green LED, Red LED, Buzzer and Keypad backlight.
3. When utilizing the GPI/O's, each respective GPI/O1 or GPI/O2 must be connected to each respective pin and also to GND. The general purpose input/output will only be activated if so applied in the reader configuration.
4. RS 485/OSDP requires twisted pair cable.